

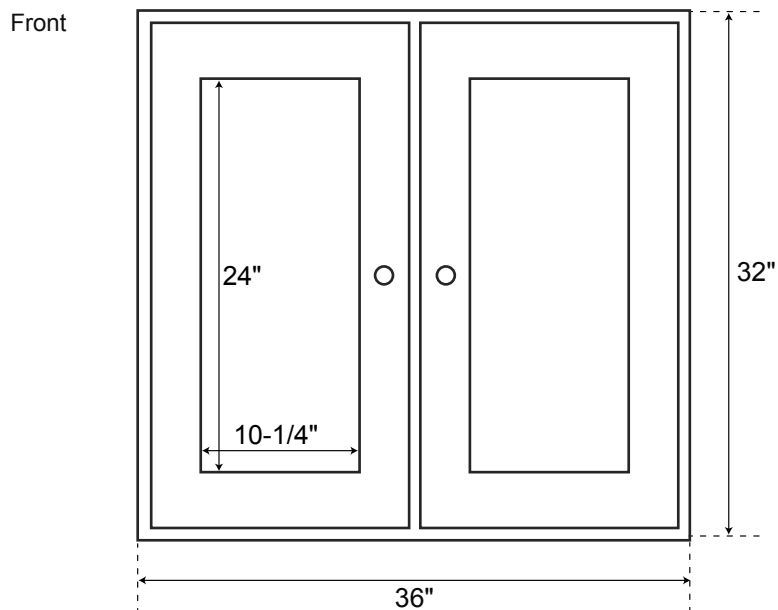


SPECIFICATIONS

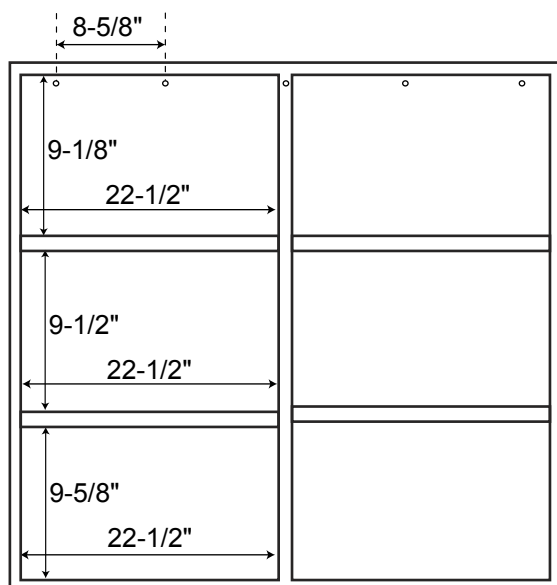
Overall Dimensions	36" W x 6" D (front to back) x 32" H
Mirror Dimensions	10-1/4" W x 24" H

All measurements are approximate.

36" Osa Teak Medicine Cabinet (Wall-Mount)



Interior



Side

