



SPECIFICATIONS

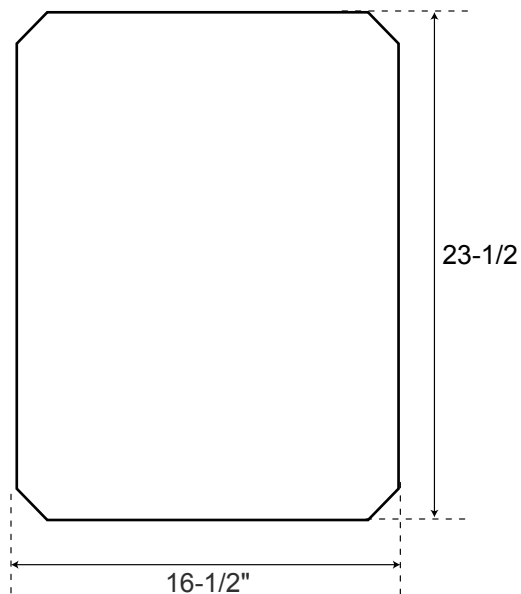
Overall Dimensions	16-1/2" W x 4-1/2" D (front to back) x 23-1/2" H
Rough-In	15-1/2" L x 3-3/4" W (front to back) x 19-3/4" H

All measurements are approximate.

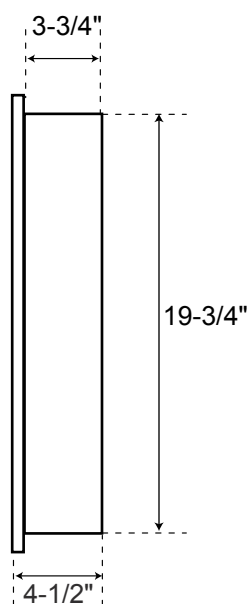
23" Oxford

Medicine Cabinet (Recessed)

Front



Side





SPECIFICATIONS

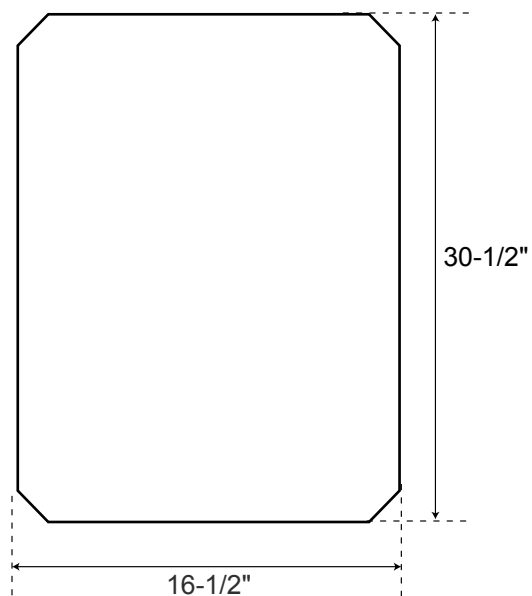
Overall Dimensions	16-1/2" W x 4" D (front to back) x 30-1/2" H
Rough-In	14" L x 2-1/2" W (front to back) x 24"

All measurements are approximate.

30" Oxford

Medicine Cabinet (Recessed)

Front



Side

