



# Veyo Freestanding Tub Faucet with Hand Shower

## BEFORE INSTALLING

Before you begin, read the installation instructions below. Observe all local plumbing and building codes.

For the following installation instructions for your new Freestanding Tub Faucet it is assumed that the water supply lines are in place and directly accessible for faucet installation.

## INSTRUCTIONS

Unpack and inspect faucet and parts for damage. If any damage is found, contact Customer Service at 1-866-855-2284. If you need assistance while installing your new faucet, call our Customer Service number.

We recommend consulting a professional if you are unfamiliar with installing bathroom fixtures and plumbing. Signature Hardware accepts no liability for any damage to the floor, walls, plumbing, or personal injury during installation.

Caution: Do not grab or hold on to faucet or risers for support.

## TOOLS AND MATERIALS:



3mm  
Hex Wrench\*



12mm  
Hex Wrench\*



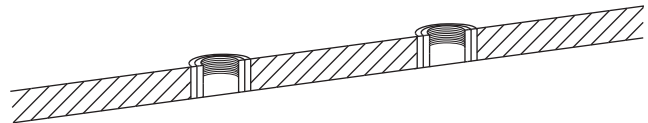
Screws

\*not included

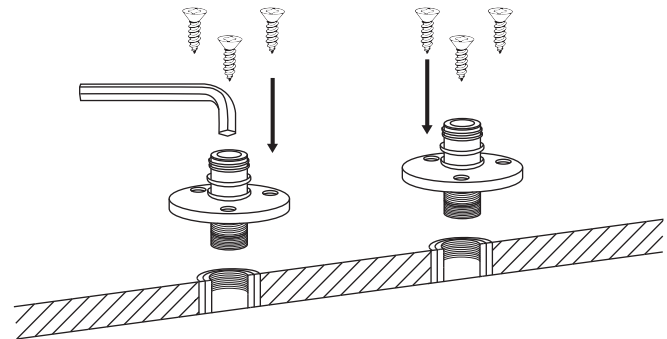
## INSTALLATION

\*Note\*

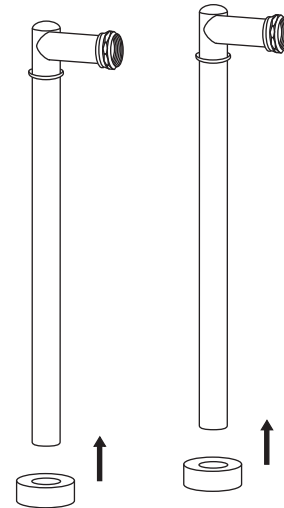
Water line rough-in connections should be flush with the floor.



1. Attach the provided 1/2" pipe nipples to the water supply at the floor with 12mm hex wrench, then secure with provided screws.



2. Slide the decorative escutcheons onto the top of the riser pipes.

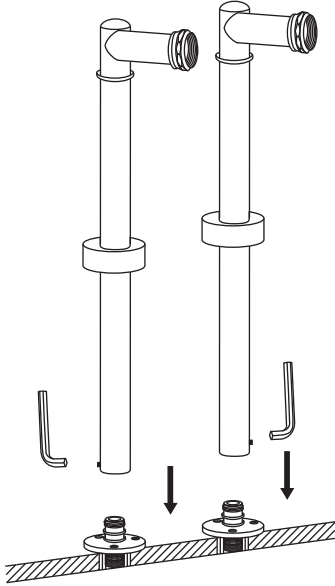




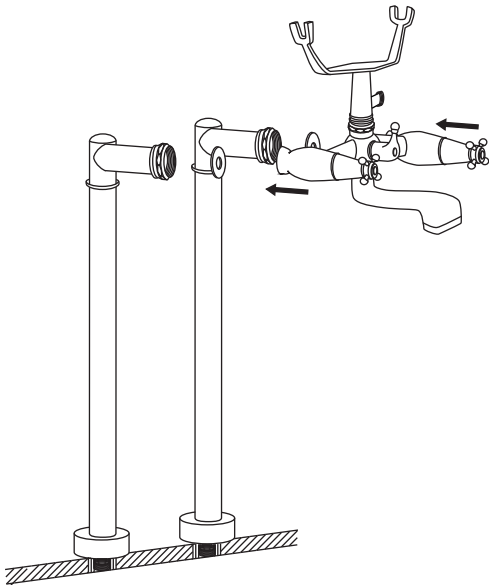
# Veyo Freestanding Tub Faucet with Hand Shower

## INSTALLATION

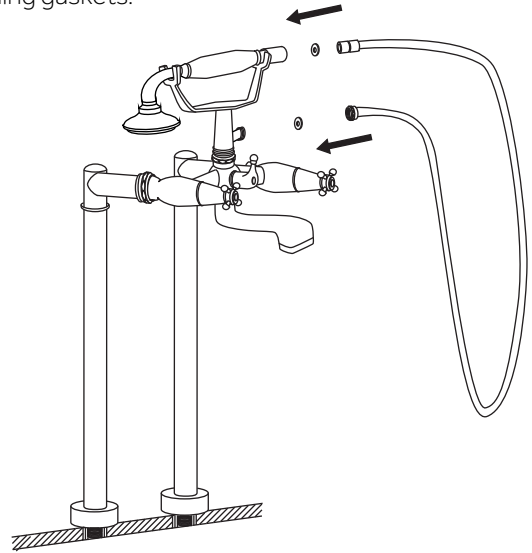
3. Attach the riser pipes to the pipe nipples and secure with 3mm hex wrench.



4. Place rubber sealing gaskets in the base of the faucet body and attach to the riser pipes.



5. Finish your installation by attaching the hand shower hose and handle with the included rubber sealing gaskets.



6. When the faucet is installed turn on the water supply, check to make sure that all connections are tight (no water should be leaking) and that the hot and cold supplies are working correctly. Divert the water to the hand shower and allow the water to flow through the hose for approximately 60 seconds.

