

PARKS DECK MOUNT TUB FAUCET INSTALLATION

BEFORE YOU BEGIN

We recommend consulting a professional if you are unfamiliar with installing plumbing fixtures. Signature Hardware accepts no liability for any damage to the faucet, plumbing, bathtub, floor, or for personal injury during installation.

Observe all local plumbing and building codes.

Unpack and inspect the faucet for shipping damage. If any damage is found, contact our Customer Relations team at 1-866-855-2284.

GETTING STARTED

- Ensure that you have gathered all the required materials that are needed for the installation.
- For these instructions, it is assumed that the old faucet has been completely removed and any necessary repairs or modifications to the water supply have been completed.

TOOLS AND MATERIALS:



Plumbers Tape



Thread Sealant



Phillips Screwdriver



Adjustable Wrench



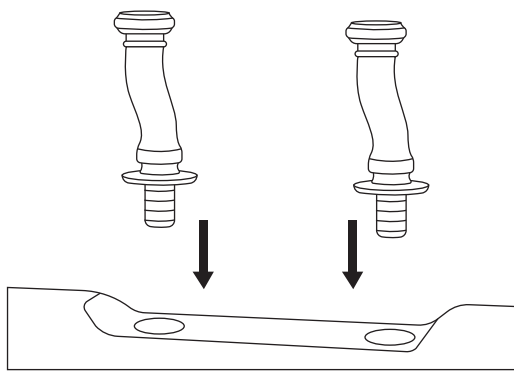
Basin Wrench



PARKS DECK MOUNT TUB FAUCET INSTALLATION

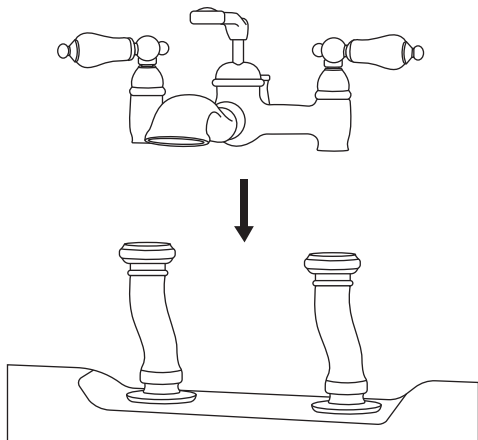
INSTALLATION

1. Remove the lock nuts from each of the deck mount couplers. Insert each coupler into its prepared mounting hole and tighten the lock nuts from underneath until hand-tight. Do not yet fully tighten.

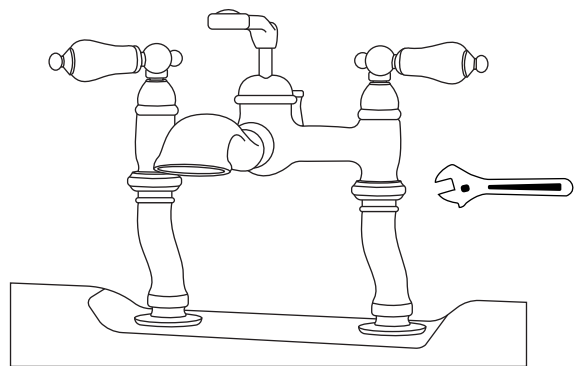


2. Attach the faucet body to the installed deck mount couplers. Position the faucet body so that it is centered, then tighten the nuts using an adjustable wrench.

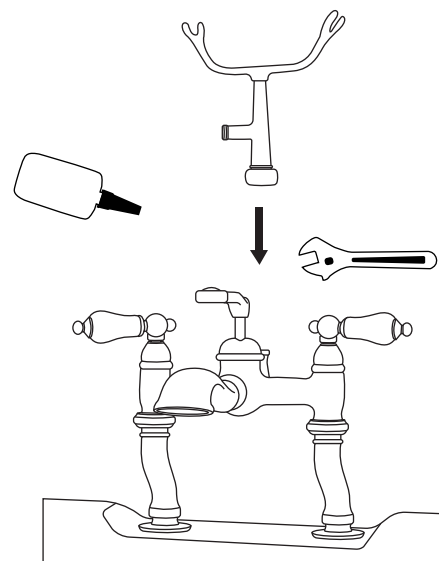
Tip: Wrap the nuts with a soft cloth before using an adjustable wrench to tighten, to avoid scratching the decorative finish.



3. From below, finish tightening the lock nuts to secure the faucet to the tub. Use an adjustable wrench or basin wrench to tighten firmly.



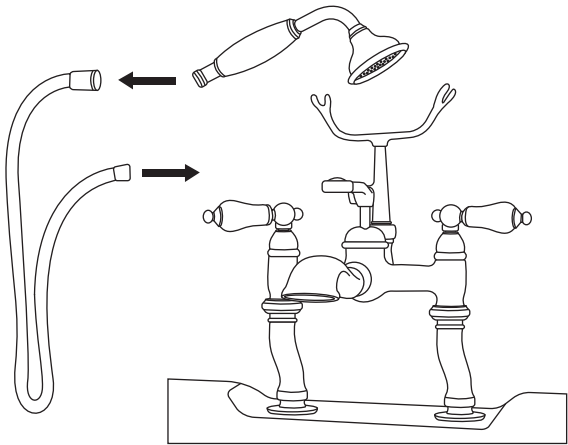
4. Attach the hand shower cradle to the outlet located on the top of the faucet body, as shown. Apply plumber's tape or thread sealant to the threads before tightening. Tighten firmly using an adjustable wrench.



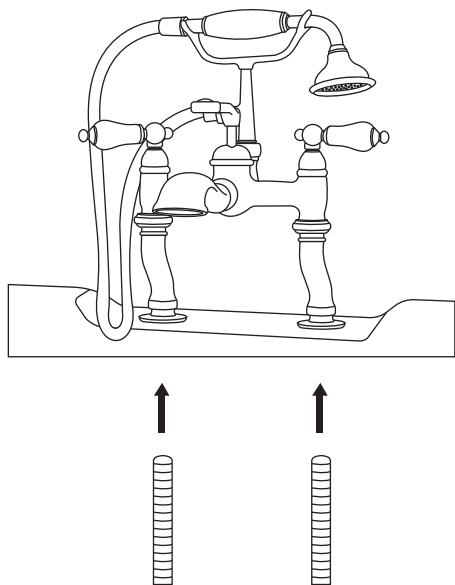


PARKS DECK MOUNT TUB FAUCET INSTALLATION

5. Use the flexible hose to connect the hand shower to the outlet located on the hand shower cradle, as shown. Tighten firmly.



6. To complete the installation, connect the water supply lines (not included) to the faucet's inlets. Apply plumber's tape or thread sealant to the threads before tightening.



7. Once installation is complete, turn the faucet on for approximately 60 seconds to check for any leaks. Ensure that hot and cold water are running appropriately. Divert water flow to the hand shower for testing.

