



PARKS FREESTANDING FAUCET INSTALLATION

BEFORE YOU BEGIN

We recommend consulting a professional if you are unfamiliar with installing plumbing fixtures. Signature Hardware accepts no liability for any damage to the plumbing, floor, walls, tub, or personal injury during installation.

Observe all local plumbing and building codes.

Unpack and inspect the item for shipping damage. If any damage is found, contact our Customer Relations team at 1-866-855-2284.

GETTING STARTED

- Ensure that you have gathered all of the required materials that are needed for the installation.
- For the following instructions, it is assumed that all rough-in procedures have been completed.

TOOLS AND MATERIALS:



Plumber's Tape



Thread Sealant



Hex Wrench



Adjustable Wrench



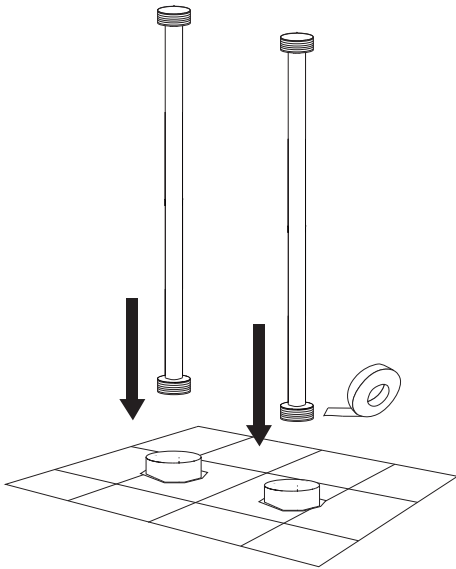
Screwdriver



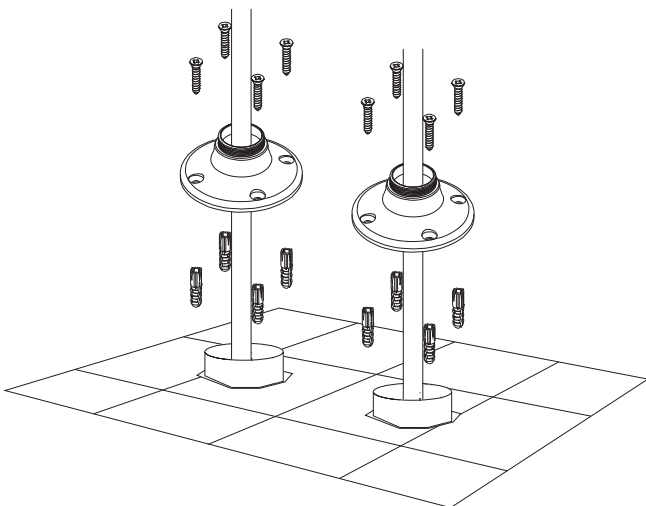
PARKS FREESTANDING FAUCET INSTALLATION

INSTALLATION

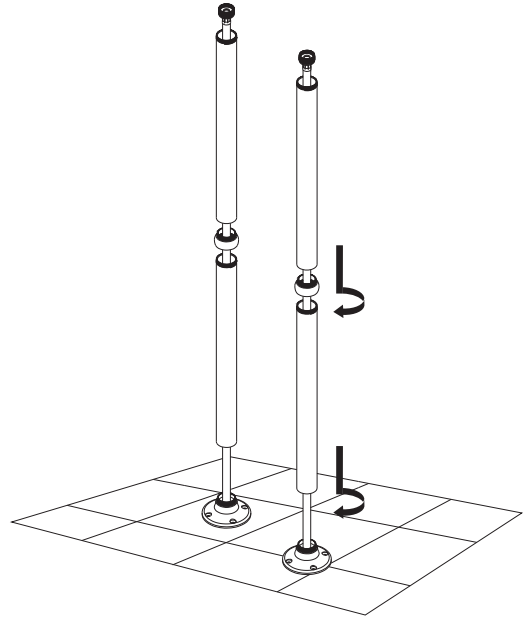
1. Attach the water supply tubes to the prepared water source at the floor. Apply thread sealant or plumber's tape to the threads before connecting.



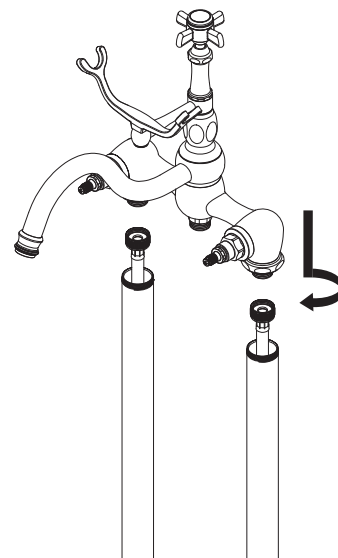
2. Slide the mounting brackets over the water supply tubes, and attach to the floor using the provided anchors and screws.



3. Assemble the riser pipes and attach them to the installed mounting brackets, as shown below.



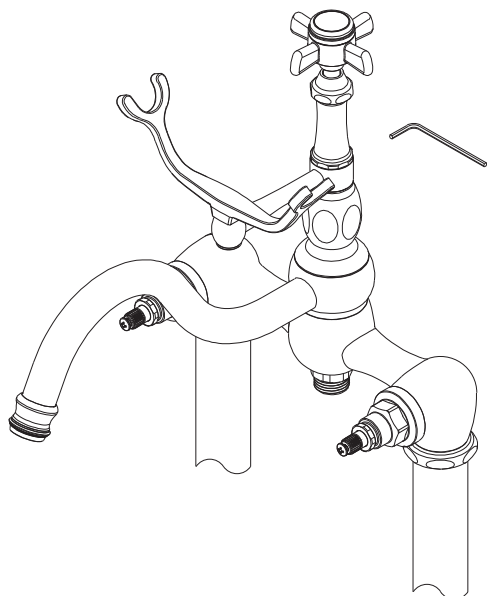
4. Attach the faucet body to the water supply tubes and the riser pipes, as shown below.



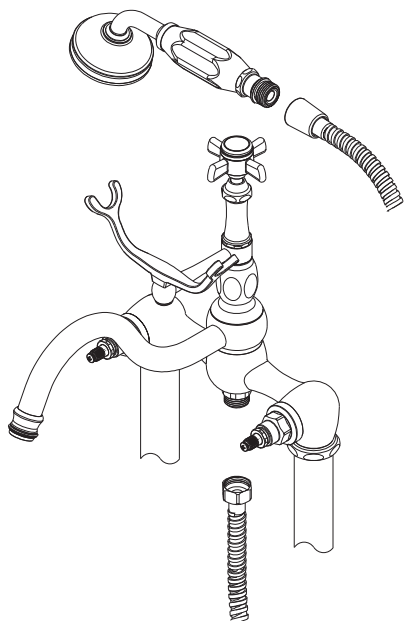


PARKS FREESTANDING FAUCET INSTALLATION

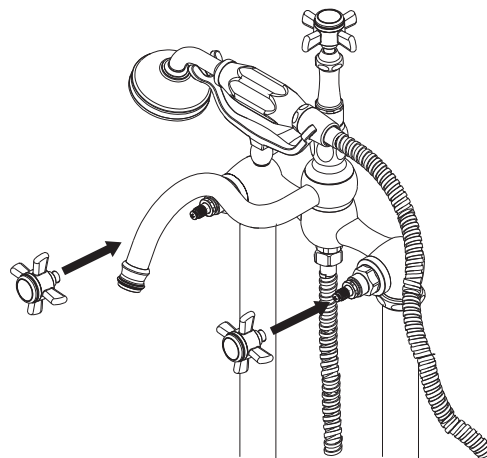
5. Ensure that the set screw located on the back of the hand shower cradle is tightened, holding it in place.



6. Attach the hand shower and hand shower hose to the outlet on the bottom of the faucet body.



7. Attach the handles to the faucet stems, as shown.



8. Once the installation is complete, turn on the main water supply. Turn the faucet on and allow it to flow for 60 seconds. Check for any leaks, and that the hot and cold supplies are working correctly. Divert the water to the hand shower and allow the water to flow through the hose for approximately 60 seconds.

